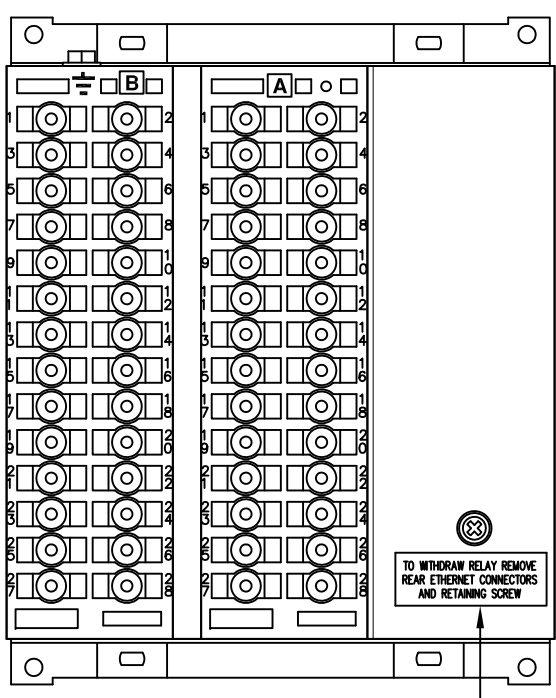
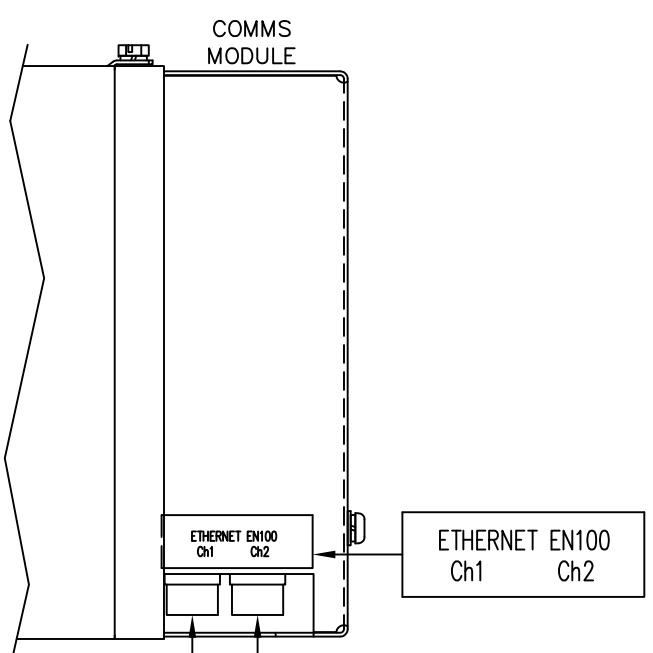


IF IN DOUBT ASK
DO NOT SCALE



RELAY VIEWED FROM REAR

TO WITHDRAW RELAY REMOVE REAR ETHERNET CONNECTORS AND RETAINING SCREW



PART SIDE VIEW ON ARROW 'A'

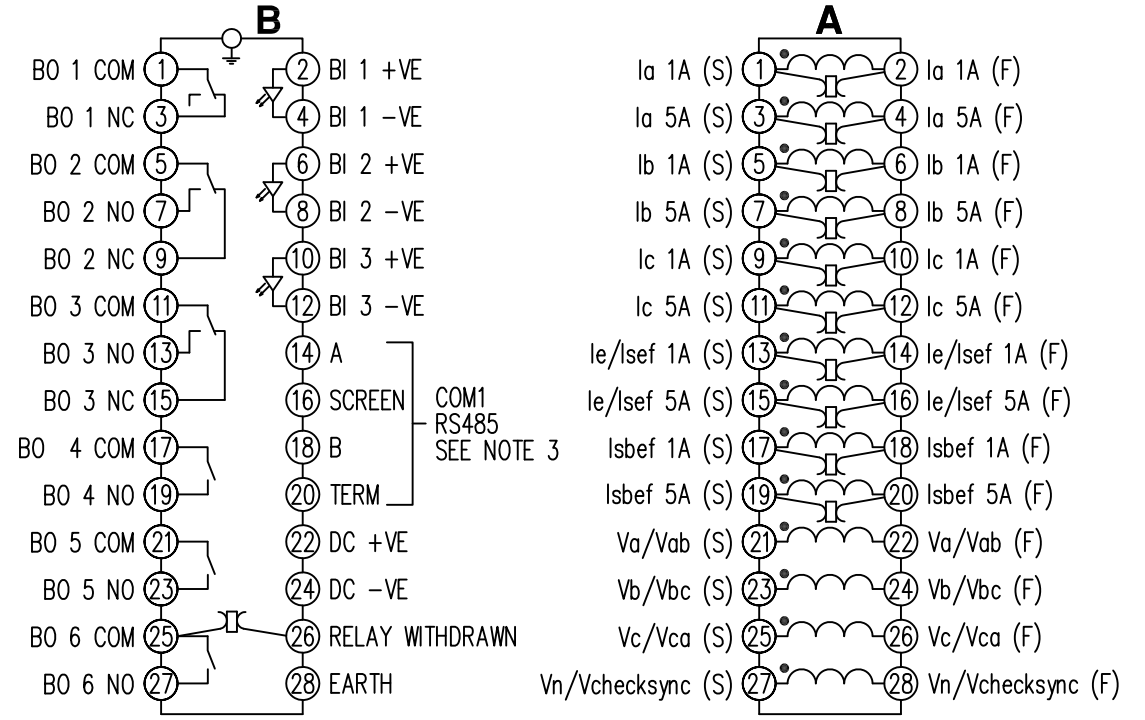
ETHERNET COMMS INPUT CONNECTORS (SEE NOTE 5)

- NOTES**
- TERMINALS RECOMMENDED ARE PRE-INSULATED & MUST BE CRIMPED USING APPROVED TOOLING. AMP PIDG OR PLASTI GRIP FUNNEL ENTRY (RING TONGUE) FOR M4 FIXING STUD.
 - FOR OUTLINE & PANEL DRILLING, SEE 2995X10020 (A4).
 - CONNECTIONS TO THIS COMMUNICATIONS FACILITY IS BY SCREENED, TWISTED PAIR CABLE, ON SITE. WHEN WIRING OTHER FACILITIES ENSURE THAT THESE TERMINALS ARE NOT OBSCURED BY OTHER WIRE RUNS.
 - CONTACTS SHOWN THUS ARE INTERNAL RELAY CASE ASSEMBLY AND CLOSE WHEN THE RELAY CHASSIS IS WITHDRAWN FROM THE CASE.
 - THE ETHERNET PORTS CAN BE EITHER - 2 x FIBRE OPTIC OR 2 x ELECTRICAL.

**NOT SUBJECT TO UPDATE
ONCE COPIED / PRINTED
OR DOWNLOADED**

ABBREVIATIONS	
I-	CURRENT INPUTS
V-	VOLTAGE INPUTS
BI-	BINARY INPUTS
BO-	BINARY OUTPUTS
CO-	CHANGE OVER BINARY OUTPUT CONTACTS
NO-	NORMALLY OPEN BINARY OUTPUT CONTACTS
NC-	NORMALLY CLOSED BINARY OUTPUT CONTACTS

COMMUNICATIONS IDENTIFICATION	
COM1	RS485 (ON BLOCK 'B' TERMINALS 14,16,18 & 20)
COM2	USB TYPE 'B' PORT (ON RELAY FRONT LABEL)
COM3	ETHERNET(x2) PORTS (ON REAR COMMS MODULE)



MATERIAL:

Dimensions in millimetres : Surface texture in micrometres.
Machine where marked ✓
For explanation of dimensions, tolerances, notes etc. see B.S.308.
Limit on untoleranced unmachined dimensions ± _____
Limits on untoleranced machined dimensions to B.S.4500;
i.e. up to 6±0.1; over 30 to 120±0.3; over 315±0.8;
over 6 to 30±0.2; over 120 to 315±0.5;
General unmachined angular tolerance ± _____

Finish: _____
Treatment: _____

Title:
7SR220, E6, TERMINAL ID & WIRING DIAGRAM
5I, 4V, 3BI, 2CO, 3NO, 1NC, RS485, ETHERNET(x2) PORTS

SIEMENS PROTECTION DEVICES LTD.

Original Scale:
NTS

First used on: _____
Similar Articles: _____
Supersedes: _____
Drg. No.
2435W40071